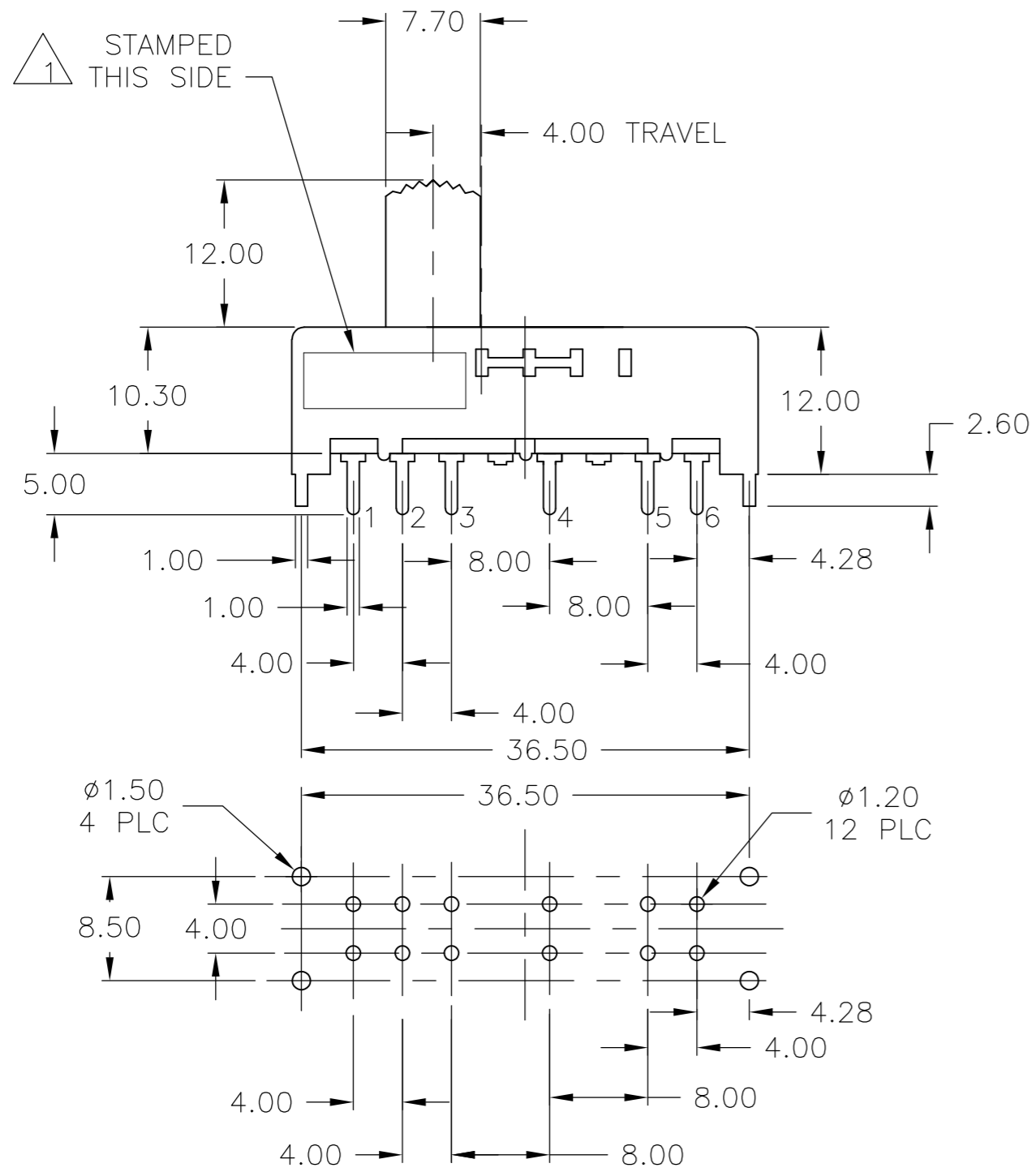
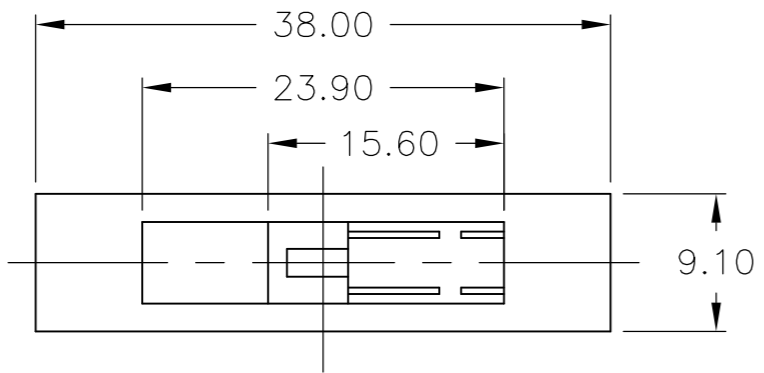
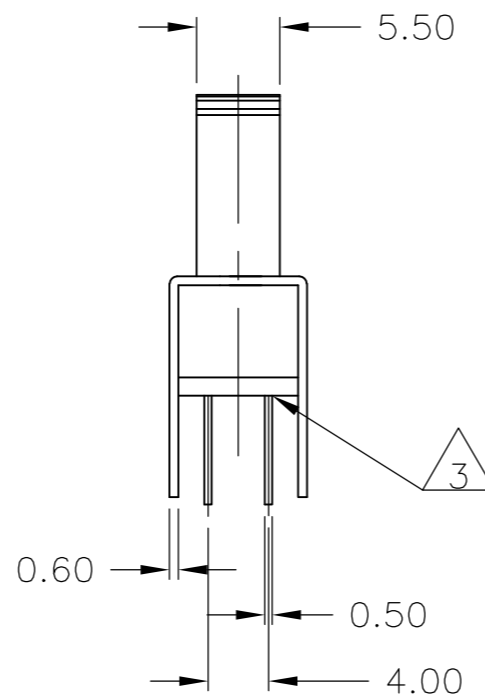


THIS DRAWING IS UNPUBLISHED. RELEASED FOR PUBLICATION  
 © COPYRIGHT BY TYCO ELECTRONICS CORPORATION. ALL RIGHTS RESERVED.

LOC	DIST	REVISIONS					
AD	00	P	LTR	DESCRIPTION	DATE	DWN	APVD
		E3		REVISED PER ECO-10-012514	16JUN10	HMR	NE



PCB LAYOUT



Specifications:  
 Double Pole Five Throw  
 Break-Before-Make

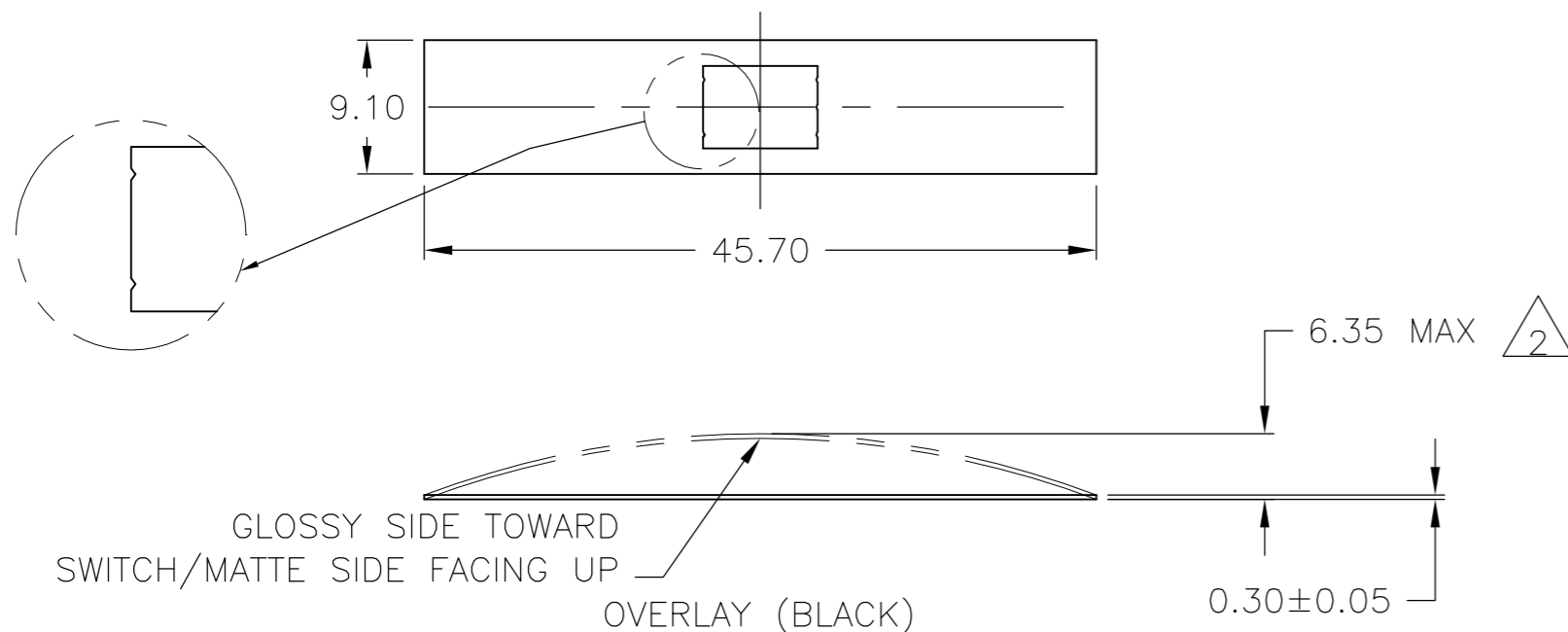
Materials:  
 Actuator, POM, UL94-HB  
 Board, Phenolic Laminated Sheet, UL94-HB  
 Frame, Steel, Nickel plate  
 Terminal, Copper Alloy, Silver over Nickel plate  
 Ball, Steel  
 Coil Spring, Spring Wire, Black  
 Contact Clip, Copper Alloy, Silver clad plate  
 Seal, Epoxy  
 Overlay, PC, Black

Electrical:  
 Contact Rating, .5A@ 50V DC max, Per EIA-448, Method 6  
 Contact rating 1milliamp@ 5V DC min  
 Initial Contact resistance, 30 milliohms max, Per EIA-364-23B, each position  
 Insulation Resistance, 500 Megohm @ 500V DC, Per EIA-364-21C each position  
 Dielectric strength, 500 V AC, Per EIA-364-20B, Condition 1, each position.

Mechanical:  
 Actuation force, 400+/-200 GF  
 Actuation Travel, 4.00mm  
 Life Expectancy, 10,000 cycles, Per EIA-448, Method 8 and 9  
 Vibration, Per EIA 364-28, Condition VII, Level E  
 Mechanical Shock, Per EIA-364-27, Condition A

Environmental:  
 Operating Temperature, -20 to +65 degrees C, Per EIA 448, Method 10  
 Storage Temperature, -25 to +70 degrees C  
 Humidity and Temperature Cycling Per EIA-364-31B, Method III  
 Temperature Life Per EIA-364-17B, Method B, Temperature Test Condition 3, Time Condition B  
 Thermal Shock, Per EIA-364-32C, -25 to 70 degrees C  
 Solderability, Per EIA-364-52, Class 2, Category 1, 95% Minimum coverage  
 Resistance to Solder Heat, Per EIA-364-56A, Procedure 3, Condition B

- 1 COUNTRY OF ORIGIN AND TE LOGO LOCATED APPROXIMATELY AS SHOWN
- 2 ASSEMBLED WITH GLOSSY SIDE TOWARD SWITCH/MATTE SIDE FACING UP.
- 3 Anti Solder Wick Seal at Terminal to Board Interface.



1571600-1	SILVER	4 TO 1	4 TO 2	4 TO 3	4 TO 5	4 TO 6
PART NO	PLATING					

TERMINALS CONNECTED WHEN SLIDE IS IN OPEN POSITION

THIS DRAWING IS A CONTROLLED DOCUMENT.		DWN R BROWN 08JUN04	Tyco Electronics Corporation Harrisburg, Pa 17105-3608			
DIMENSIONS: mm		CHK M SARVER 08JAN04	NAME SLIDE SWITCH 0.5 AMP			
TOLERANCES UNLESS OTHERWISE SPECIFIED:		APVD M SARVER 08JAN04	PRODUCT SPEC			
0 PLC ± -		APPLICATION SPEC				
1 PLC ± -		WEIGHT -				
2 PLC ± 0.20		SIZE A2				
3 PLC ± -		CAGE CODE 00779				
4 PLC ± -		DRAWING NO C=1571600				
ANGLES ± 3°		RESTRICTED TO -				
FINISH -		CUSTOMER DRAWING				
		SCALE 2:1		SHEET 1 OF 1		
				REV E3		